



Unofficial Seat Fire-Blocking Checklist

COMPANY NAME: _____

CONTACT NAME: _____

PHONE: _____ E-MAIL: _____

DATE SENT: _____ P.O. #: _____

DATE NEEDED: _____

AIRCRAFT MAKE: _____ MODEL: _____

S/N #: _____ TAIL NUMBER: _____

An unofficial seat fire-blocking test consists of one back and one bottom cushion

SEATING CONFIGURATION:

Unofficial Test Represents:

Single Passenger Seat Back _____ Double Passenger Seat Back _____ Divan Back _____

Single Passenger Seat Bottom _____ Double Passenger Seat Bottom _____ Divan Bottom _____

Headrest _____ Lav Seat _____ Jump-seat _____ Leg-rest _____

ITEMS REQUIRED TO COMPLETE UNOFFICIAL FIRE-BLOCKING:

- Copies of INVOICES OR PACKING LISTS providing traceability for dress cover material along with a treatment number if the material has an after treatment.
- Sketch or production drawing of **each** different cushion assembly to be tested.
- For each different dress-cover:

Leather	25 square feet
Fabric 40" – 48"	2 yards
Fabric 49" – 53"	1.75 yards
Fabric 54" - and up	1.5 yards
- Is padding or batting/muslin used on seating surfaces? Yes No
 If so, how is it held in place?
 Glued _____ Placed _____ Stitched at Seams _____ Quilted to Dress cover _____
- If fire-blocking material is being used, how is it used?
 Glued on seating surface only _____ Placed on seating surface only _____
 Fully Encapsulated with stitched seams _____ Fully Encapsulated with glued seams _____ Fully Encapsulated and bonded to foam _____
- What glue or glues are being used? _____
- You may be required to send a small quantity of your adhesive if it is not stocked at Skandia. We will make every effort to stock your glue.

FABRICATING PROCEDURES

Window Pane is a type of close-out where the dress cover wraps around to the bottom or back of the cushion and a separate piece of material, which may be the same as the dress cover or different, closes out the cushion by sewing, gluing or use of hook and loop fastener.

Please check the following as they apply to production cushions:

Seam Closure:

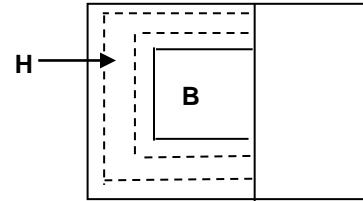
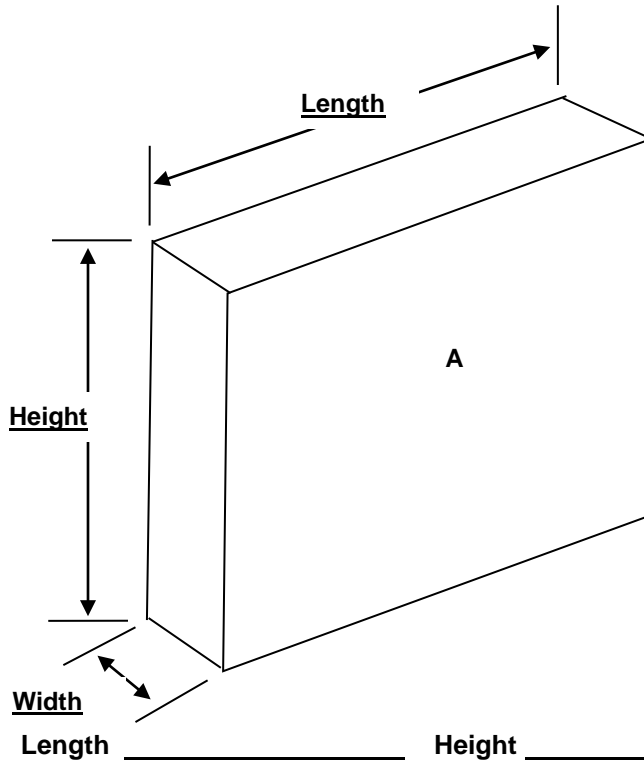
Hand Sewn _____ Fastened _____ Glued _____ Window Pane _____

If "window pane", what is the close-out material _____

If "window pane", is there fastener on all four sides? Yes _____ No _____

Unofficial Cushion Build-Up

Please complete one sheet for each different cushion build-up.



For Window pane Close-outs

Length _____ Height _____ Width _____

Please insert lines to the cushion drawing above to indicate various build-up layers and use letters below for identification purposes. Production cushion dimensions should also be provided.

	Seat Cushion Build-Up	Manufacturer and Part Number	Dimensions
A	Dress Cover		
B	Close-out Material		
C	Foam		
D	Foam		
E	Foam		
F	Foam		
G	Foam		
H	Hook Fastener Loop Fastener		
I	Muslin		
J	Nylon Pack Cloth		
K	Batting		
L	Aluminum/Honeycomb/Other Stiffener		
M	Other		
Adhesives:			